

Frameclad Limited.

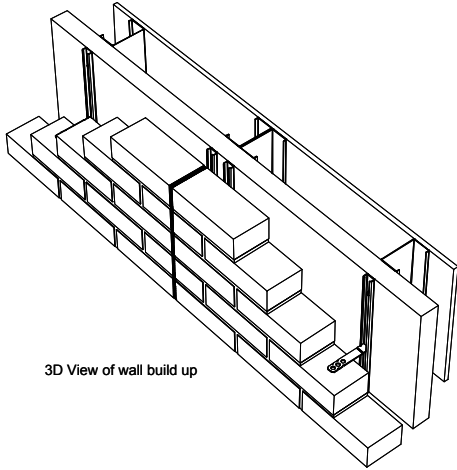
Wp aN BV a . d ) fO . a ^ . . fO ^ ) d ^ E  
 O @ a c ^ | | A | ] a a B S a a a a \* B A  
 Y ^ . a U ^ . . ^ c B O P F i A V W A  
 V i e J e H i i i i i H i O A ) ^ a a . O - a e ^ & a a B i (



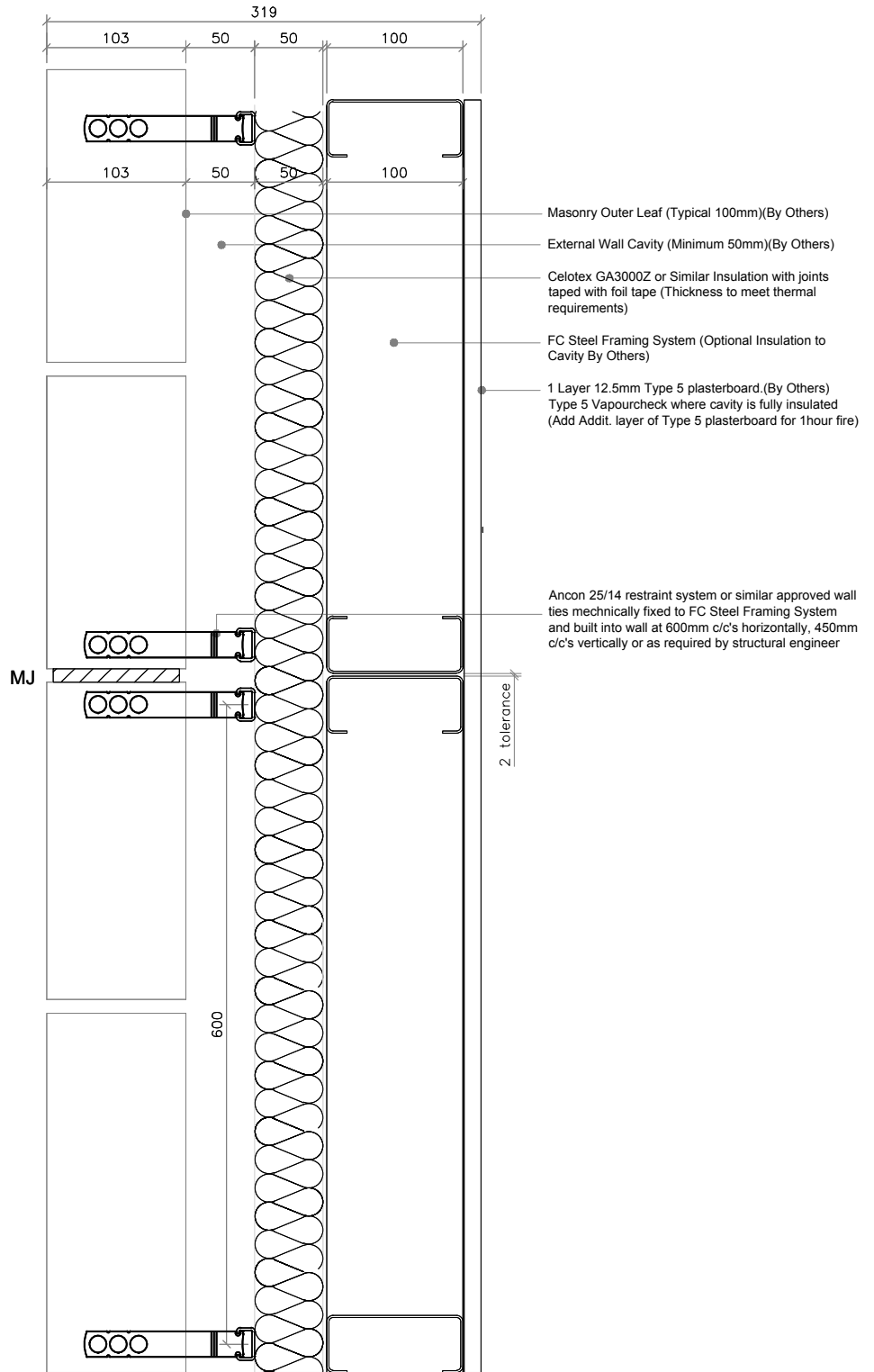
Description

Section in elevation through external masonry wall

Date	Name	Scale	Drawing Number	Revision
01.08.2010	M.JAMIESON	1:10@A4	FC SDET - 1001	-



3D View of wall build up



**Frameclad Limited.**

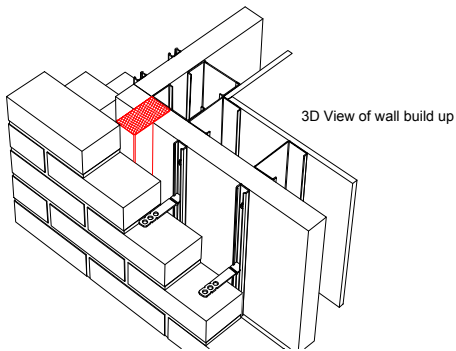
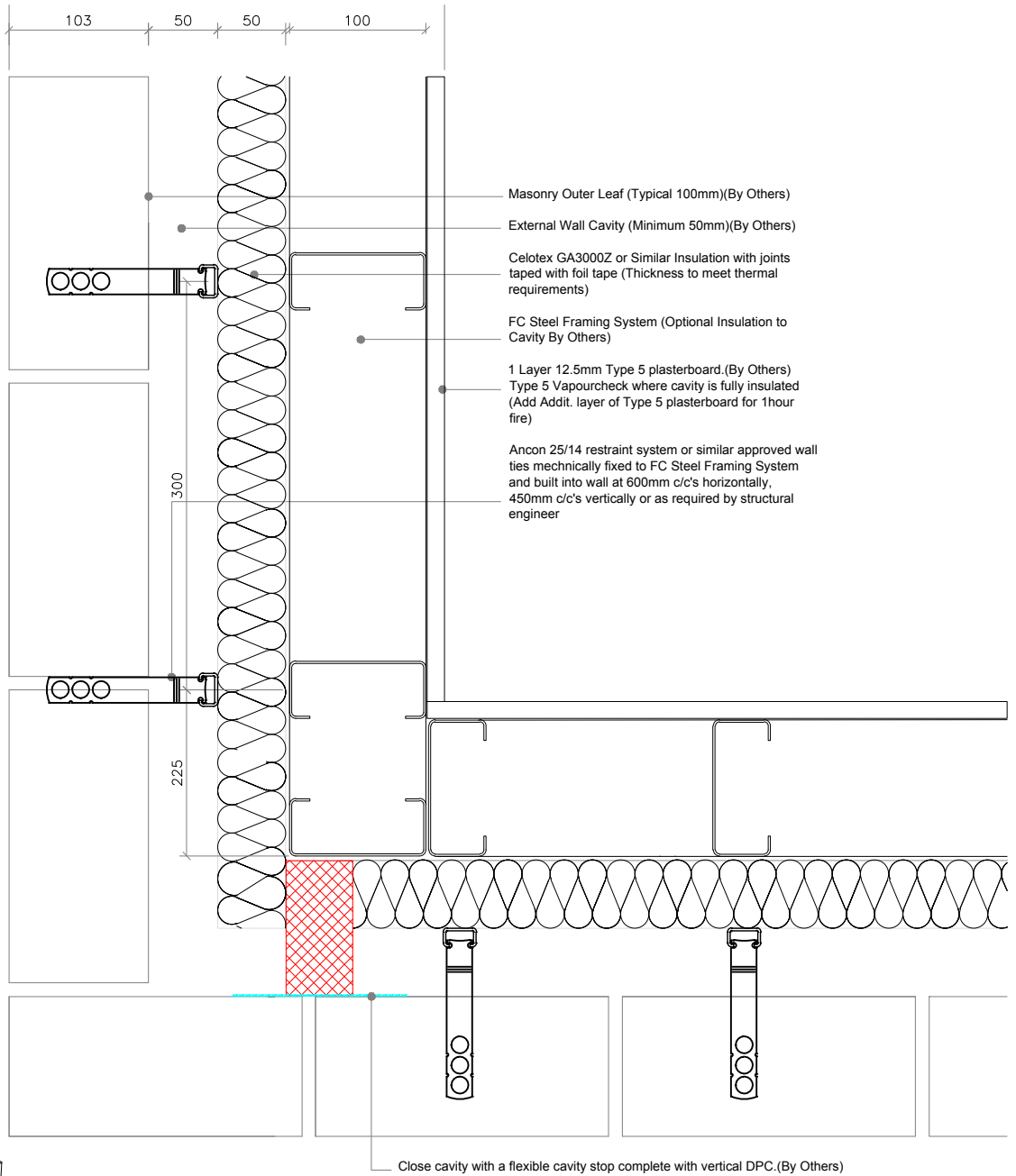
Wp an EN a . d ) / O . a ^ . . / O ^ ) d ^ E  
 O @ c ^ || A U | a a B a ) a a ^ E  
 Y ^ . d U . . ^ e B O b F i A V W  
 T: 01903 111111 E: enquiries@frameclad.com



**Description**

Section on plan through external masonry wall

Date	Name	Scale	Drawing Number	Revision
01.08.2010	M.JAMIESON	1:10@A4	FC SDET - 1002	-



Frameclad Limited.

Wp aā ēv ā • d ) / ō • ā • • • / ō ^ ) d ^ E  
 Ō @ a c ^ | | A | J a ā b s a ā s ā \* E  
 Y ^ • d ū • • ^ c ō P F I A V W  
 V k e J e H i i i i H Ō A ) • • ā a • Ō - a ā ^ & a ā b ū (

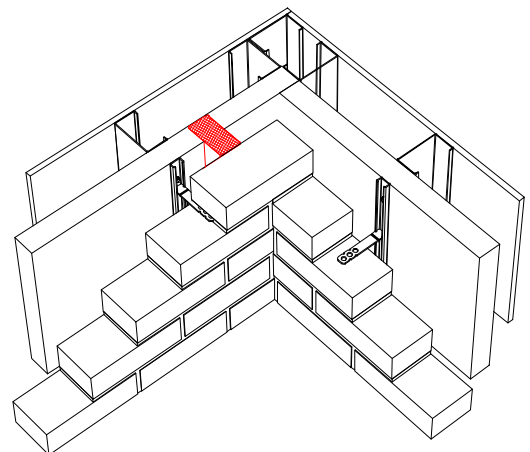
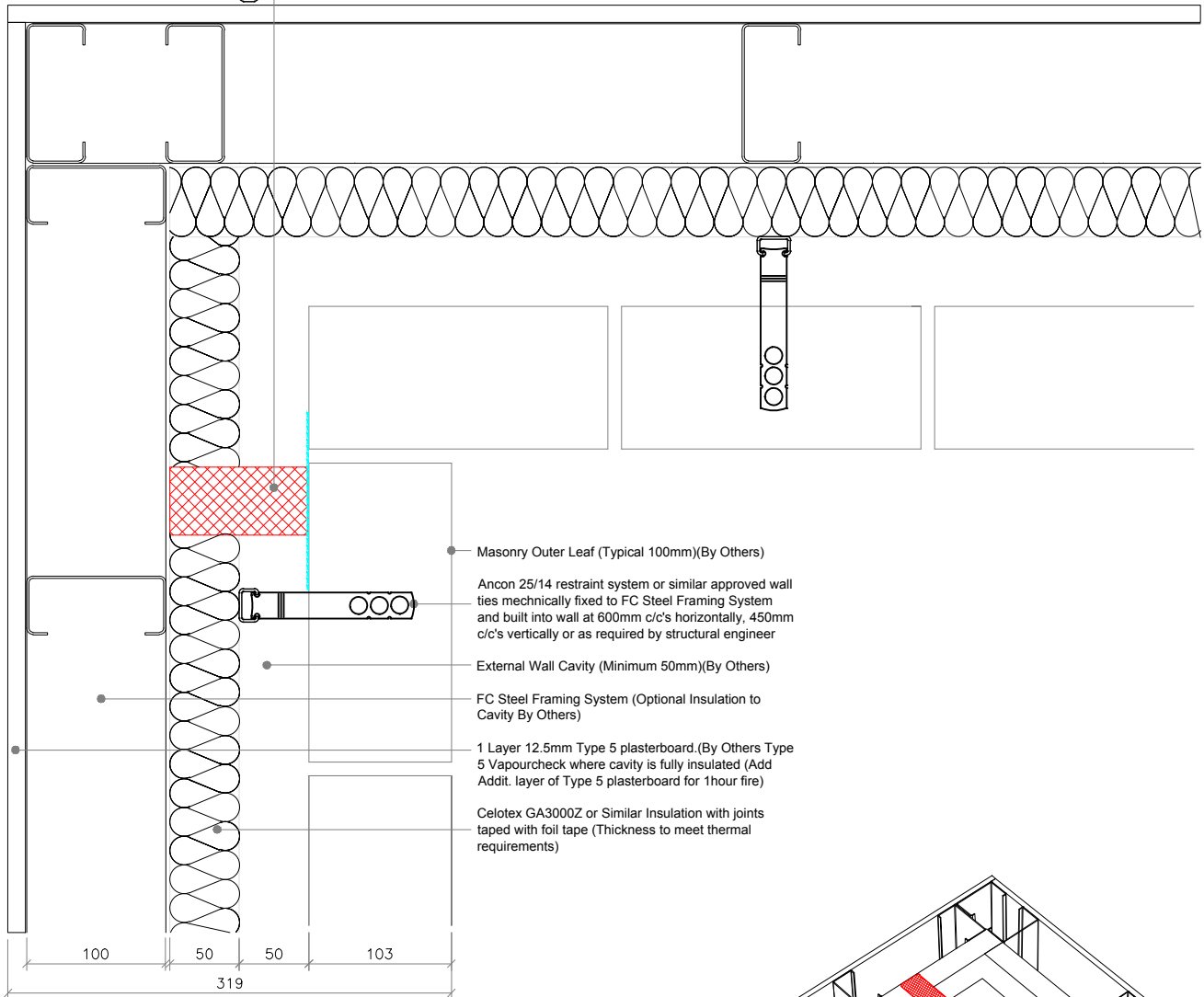


Description

Section on plan through external corner of masonry wall

Date	Name	Scale	Drawing Number	Revision
01.08.2010	M.JAMIESON	1:10@A4	FC SDET - 1003	-

Close cavity with a flexible cavity stop complete with vertical DPC. (By Others)



Frameclad Limited.

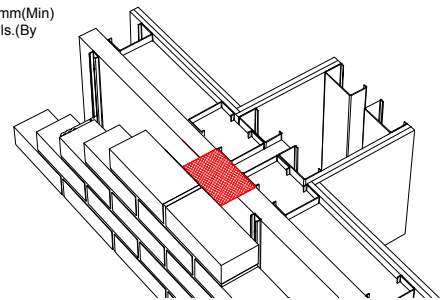
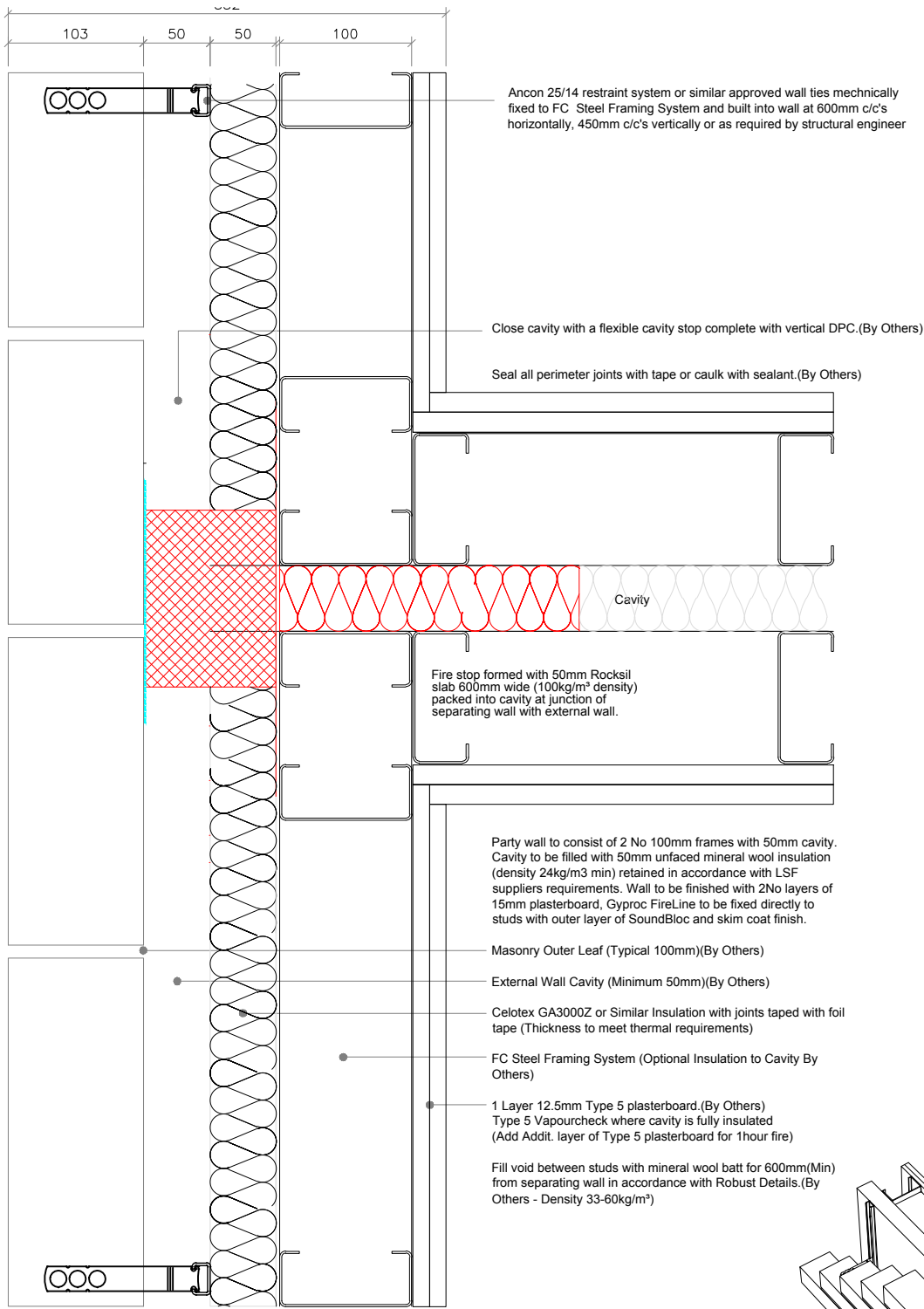
Wp aā ēv ā • d ) / ō • ā • • • / ō ^ ) d ^ ē  
 Ō @ a c ^ | | A | J a a b e a ā ā \* ē  
 Y ^ • ō ū • • • ^ c ō P F I Ā V W  
 v k e r e h ā ī ī ī ī ī H Ō K ^ ) \* ā a • Ō - ā ē ^ & ā ā ē (



Description

Section on plan through internal corner of masonry wall

Date	Name	Scale	Drawing Number	Revision
01.08.2010	M.JAMIESON	1:10@A4	FC SDET - 1004	-



**Frameclad Limited.**

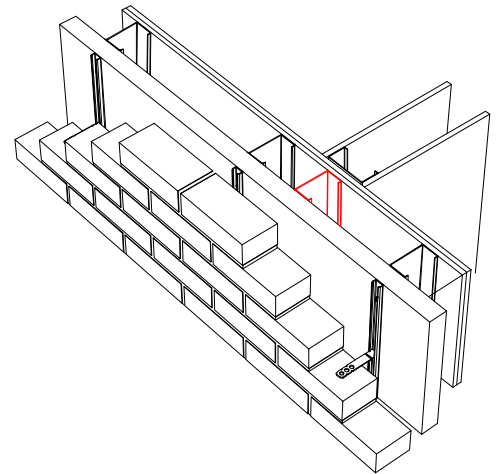
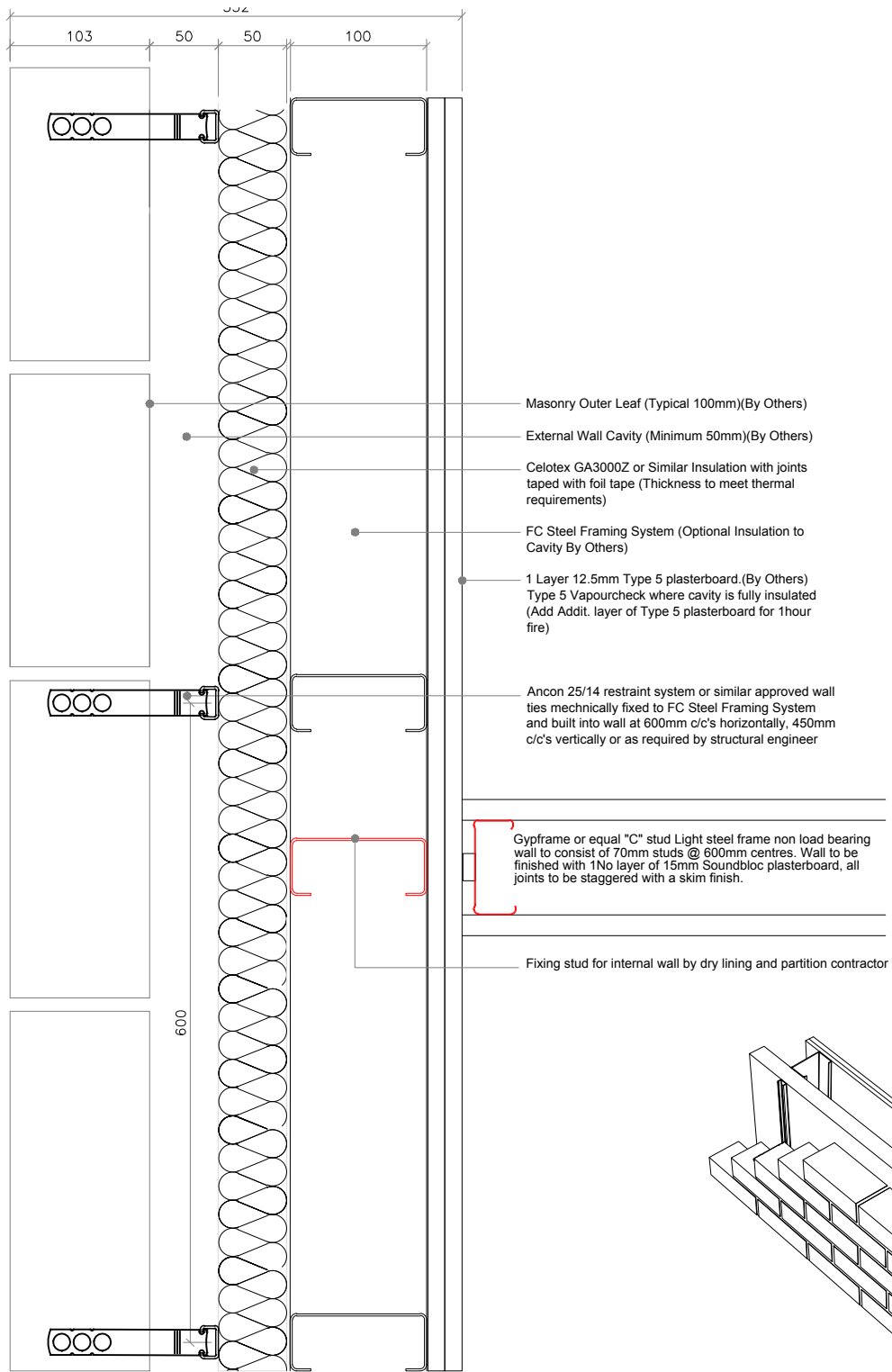
Unit 7, Winston Business Centre,  
Chartwell Road, Lancing,  
West Sussex, BN15 8TU  
T: 01903 765453 E: enquiries@frameclad.com



**Description**

Section on plan through Separating wall at the external wall junction

Date	Name	Scale	Drawing Number	Revision
01.08.2010	M.JAMIESON	1:10@A4	FC SDET - 1005	-



### Frameclad Limited.

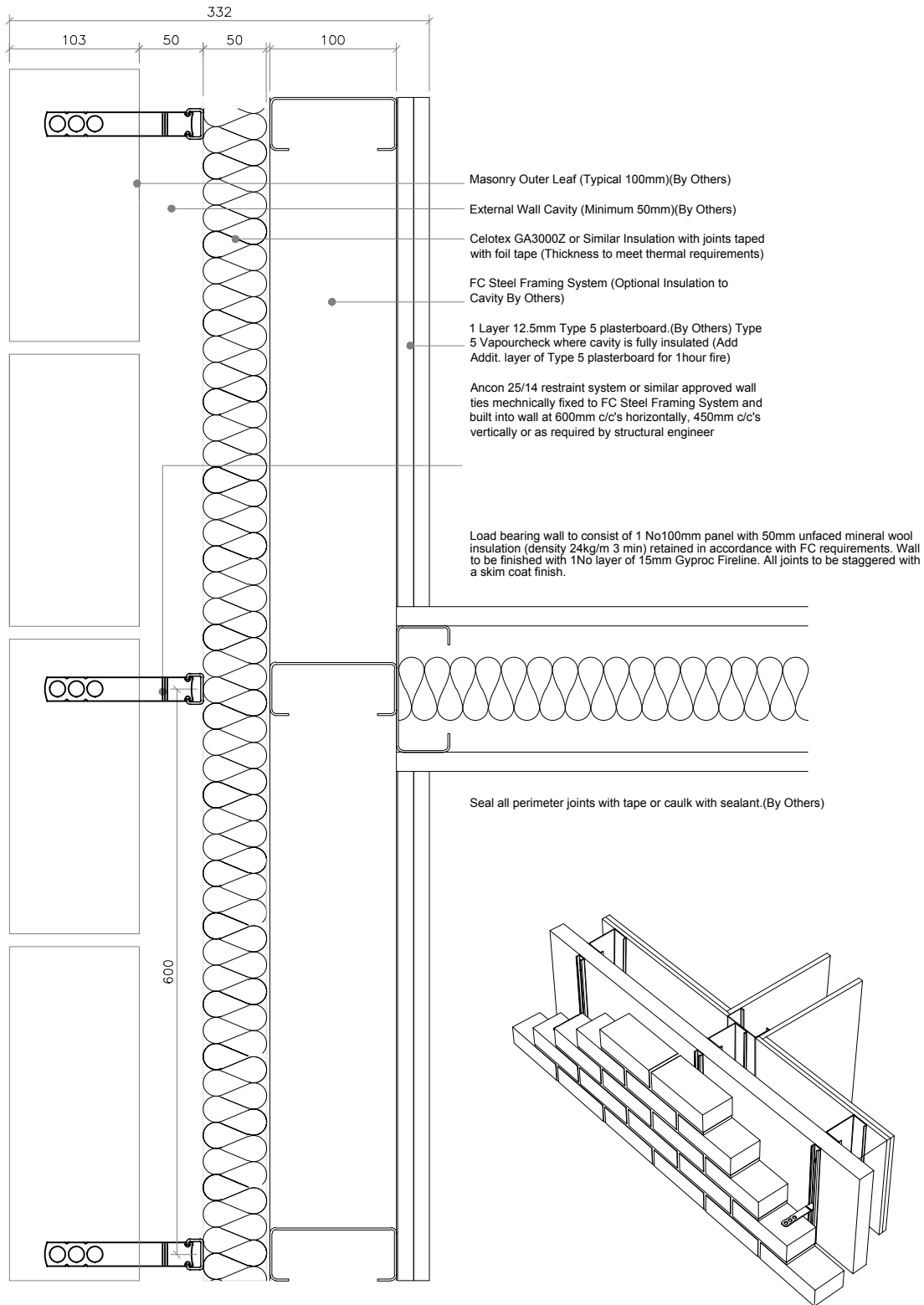
Unit 7, Winston Business Centre,  
Chartwell Road, Lancing,  
West Sussex, BN15 8TU  
T: 01903 765453 E: enquiries@frameclad.com



### Description

Section on plan through external wall with an internal wall junction

Date	Name	Scale	Drawing Number	Revision
01.08.2010	M.JAMIESON	1:10@A4	FC SDET - 1006	-



**Frameclad Limited.**

Unit 7, Winston Business Centre,  
 Chartwell Road, Lancing,  
 West Sussex, BN15 8TU  
 T: 01903 765453 E: enquiries@frameclad.com



**Description**

Section on plan through external wall with a internal load bearing wall junction

Date	Name	Scale	Drawing Number	Revision
01.08.2010	M.JAMIESON	1:10@A4	FC SDET - 1007	-