

Frameclad Limited.

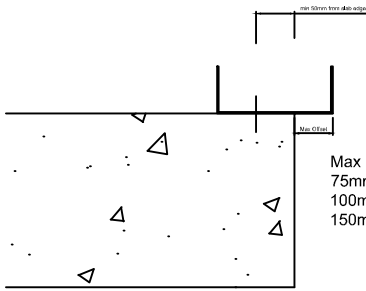
Unit 7, Winston Business Centre,
 Chartwell Road, Lancing,
 West Sussex, BN15 8TU
 T: 01903 765453 E: enquiries@frameclad.com



Description

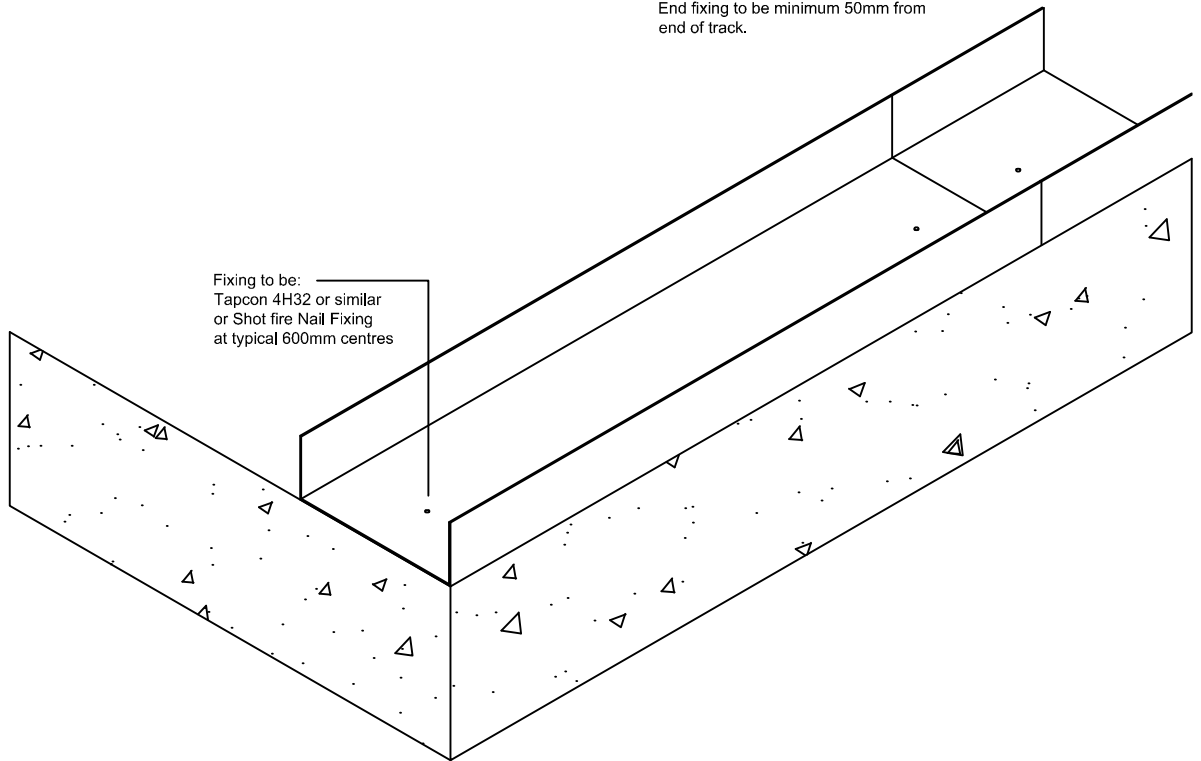
Typical Header Detail

| Date | Name | Scale | Drawing Number | Revision |
|------------|------------|-------|----------------|----------|
| 03.02.2010 | M.JAMIESON | NTS | FC Sdet - 146 | - |



Max Offset Distance
 75mm - 25mm
 100mm - 33mm
 150mm - 50mm

Track joints to be minimum 100mm from stud position.
 End fixing to be minimum 50mm from end of track.



Fixing to be:
 Tapcon 4H32 or similar
 or Shot fire Nail Fixing
 at typical 600mm centres

Frameclad Limited.

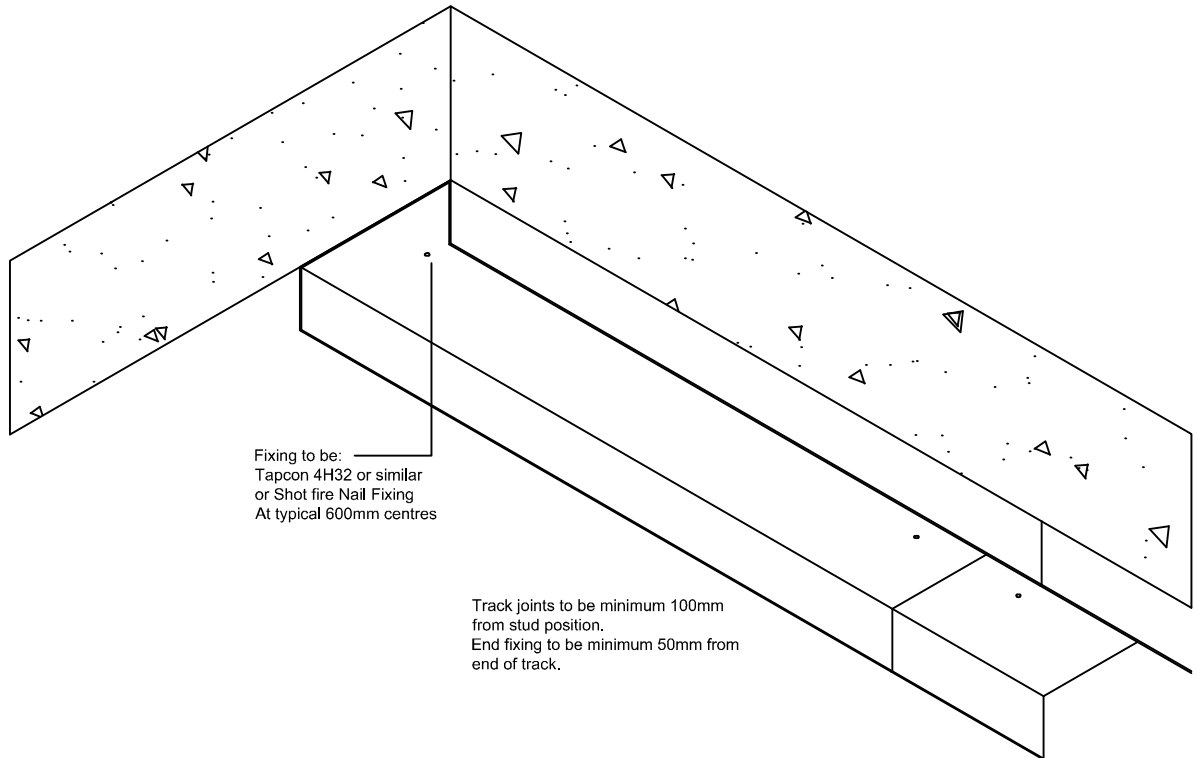
Unit 7, Winston Business Centre,
 Chartwell Road, Lancing,
 West Sussex, BN15 8TU
 T: 01903 765453 E: enquiries@frameclad.com



Description

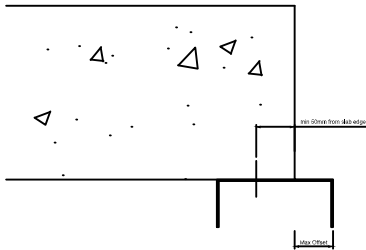
Base fixing Detail

| Date | Name | Scale | Drawing Number | Revision |
|------------|------|-------|----------------|----------|
| 03.02.2010 | MM | NTS | Sdet - 147 | - |



Fixing to be:
Tapcon 4H32 or similar
or Shot fire Nail Fixing
At typical 600mm centres

Track joints to be minimum 100mm
from stud position.
End fixing to be minimum 50mm from
end of track.



Max Offset Distance
75mm - 25mm
100mm - 33mm
150mm - 50mm

Frameclad Limited.

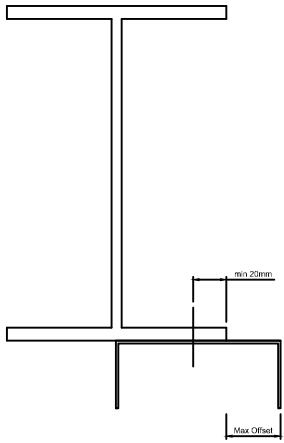
Unit 7, Winston Business Centre,
Chartwell Road, Lancing,
West Sussex, BN15 8TU
T: 01903 765453 E: enquiries@frameclad.com



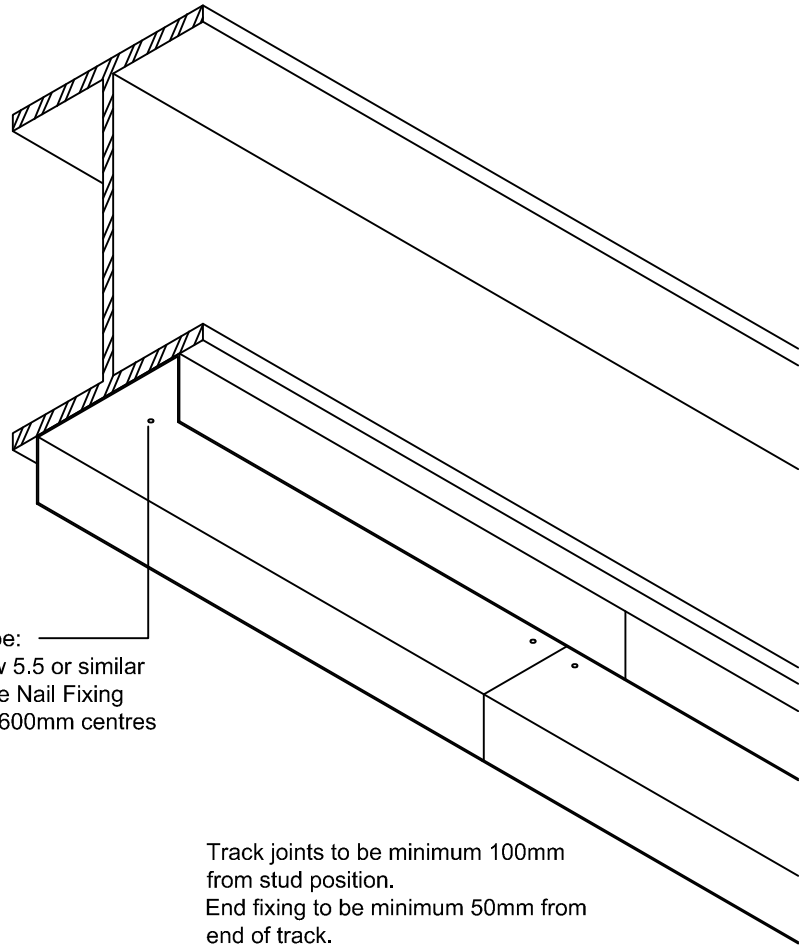
Description

Head fixing Detail into concrete

| Date | Name | Scale | Drawing Number | Revision |
|------------|------|-------|----------------|----------|
| 03.02.2010 | MM | NTS | Sdet - 148 | - |



Max Offset Distance
 75mm - 25mm
 100mm - 33mm
 150mm - 50mm



Fixing to be:
 Tek Screw 5.5 or similar
 or Shot fire Nail Fixing
 At typical 600mm centres

Track joints to be minimum 100mm
 from stud position.
 End fixing to be minimum 50mm from
 end of track.

Frameclad Limited.

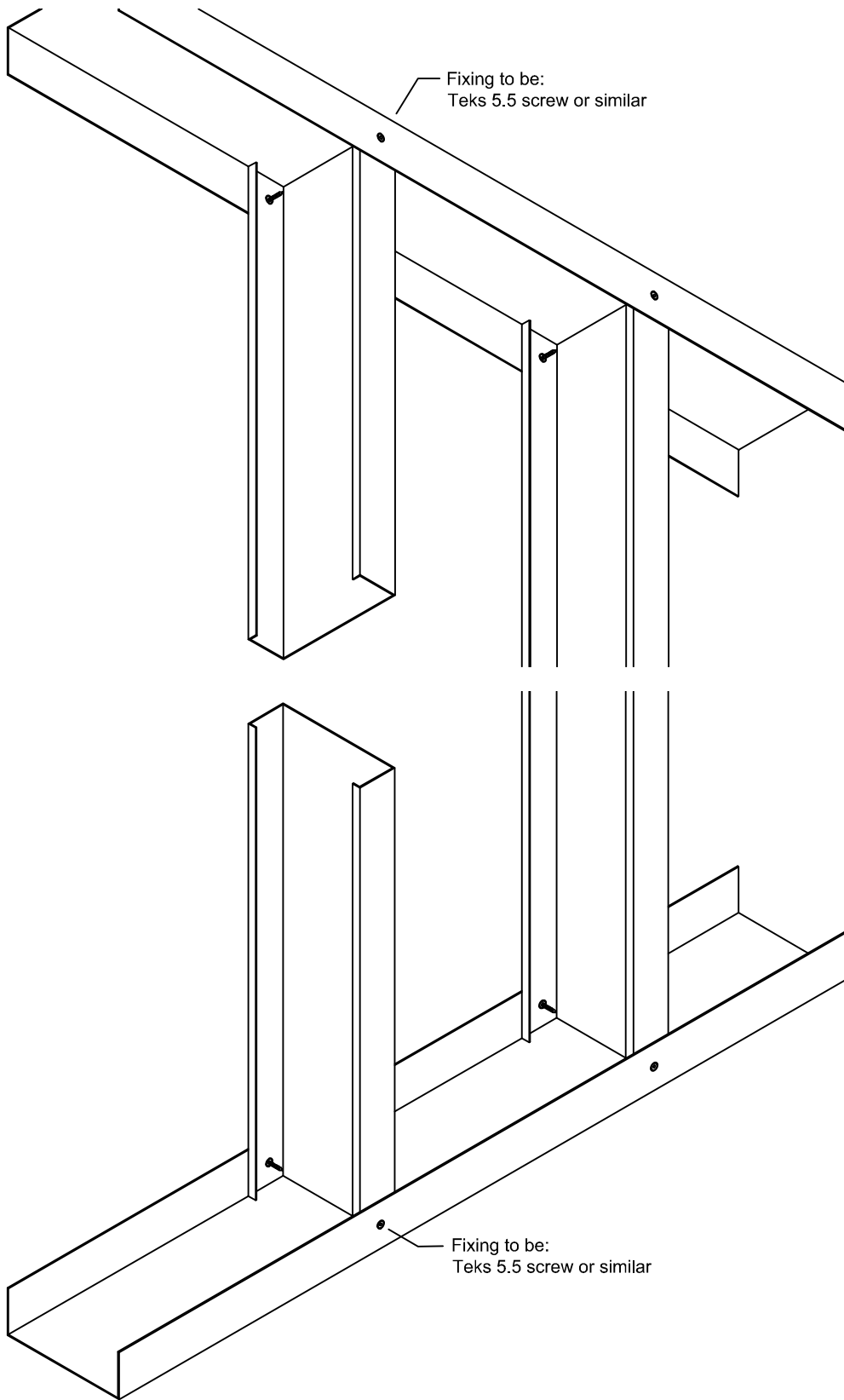
Unit 7, Winston Business Centre,
 Chartwell Road, Lancing,
 West Sussex, BN15 8TU
 T: 01903 765453 E: enquiries@frameclad.com



Description

Head fixing Detail into Steel

| Date | Name | Scale | Drawing Number | Revision |
|------------|------|-------|----------------|----------|
| 03.02.2010 | MM | NTS | Sdet - 149 | - |



Frameclad Limited.

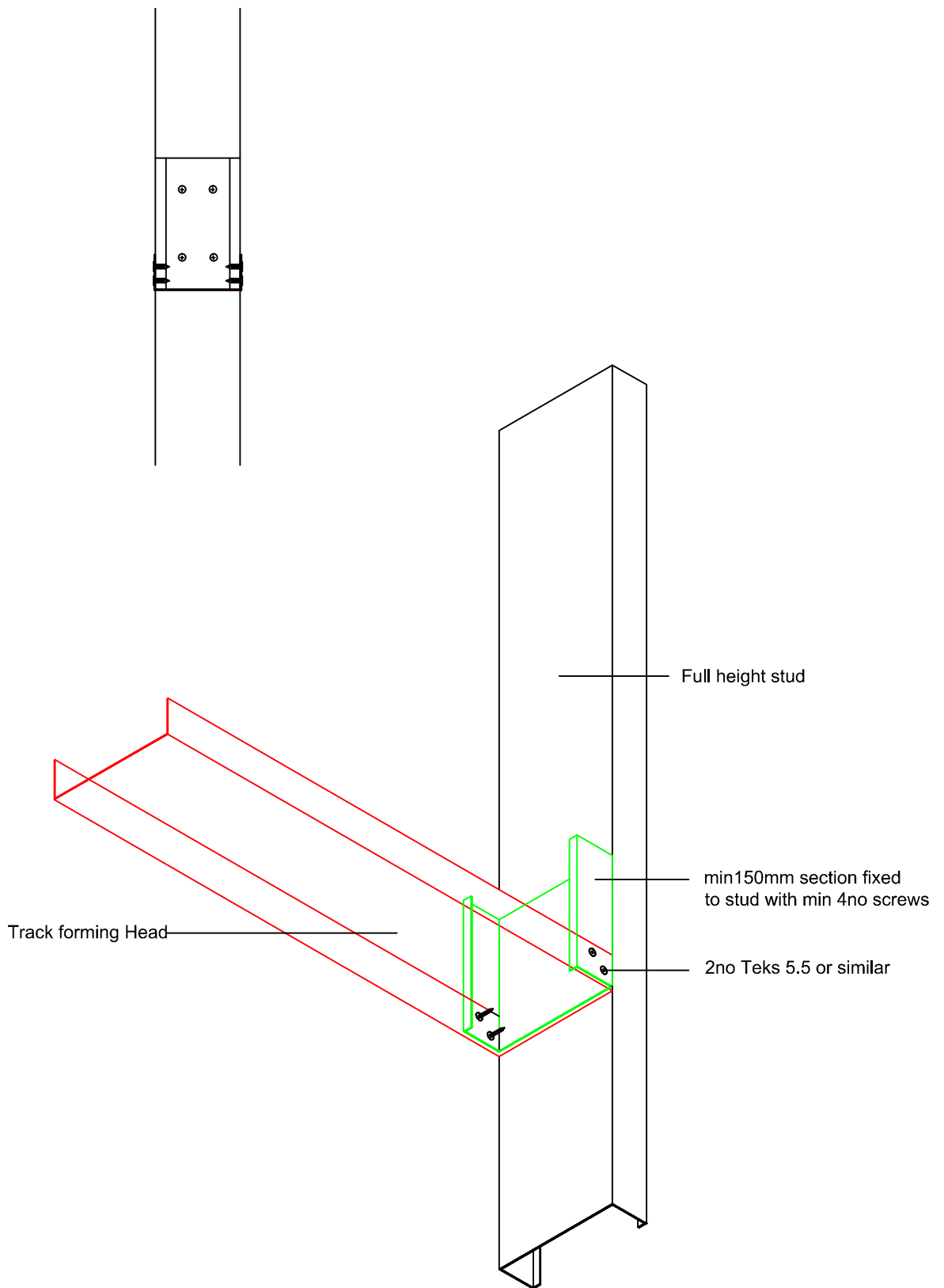
Unit 7, Winston Business Centre,
 Chartwell Road, Lancing,
 West Sussex, BN15 8TU
 T: 01903 765453 E: enquiries@frameclad.com



Description

Stud connection at head and base (Non deflection)

| Date | Name | Scale | Drawing Number | Revision |
|------------|------|-------|----------------|----------|
| 03.02.2010 | MM | NTS | Sdet - 150 | - |



Frameclad Limited.

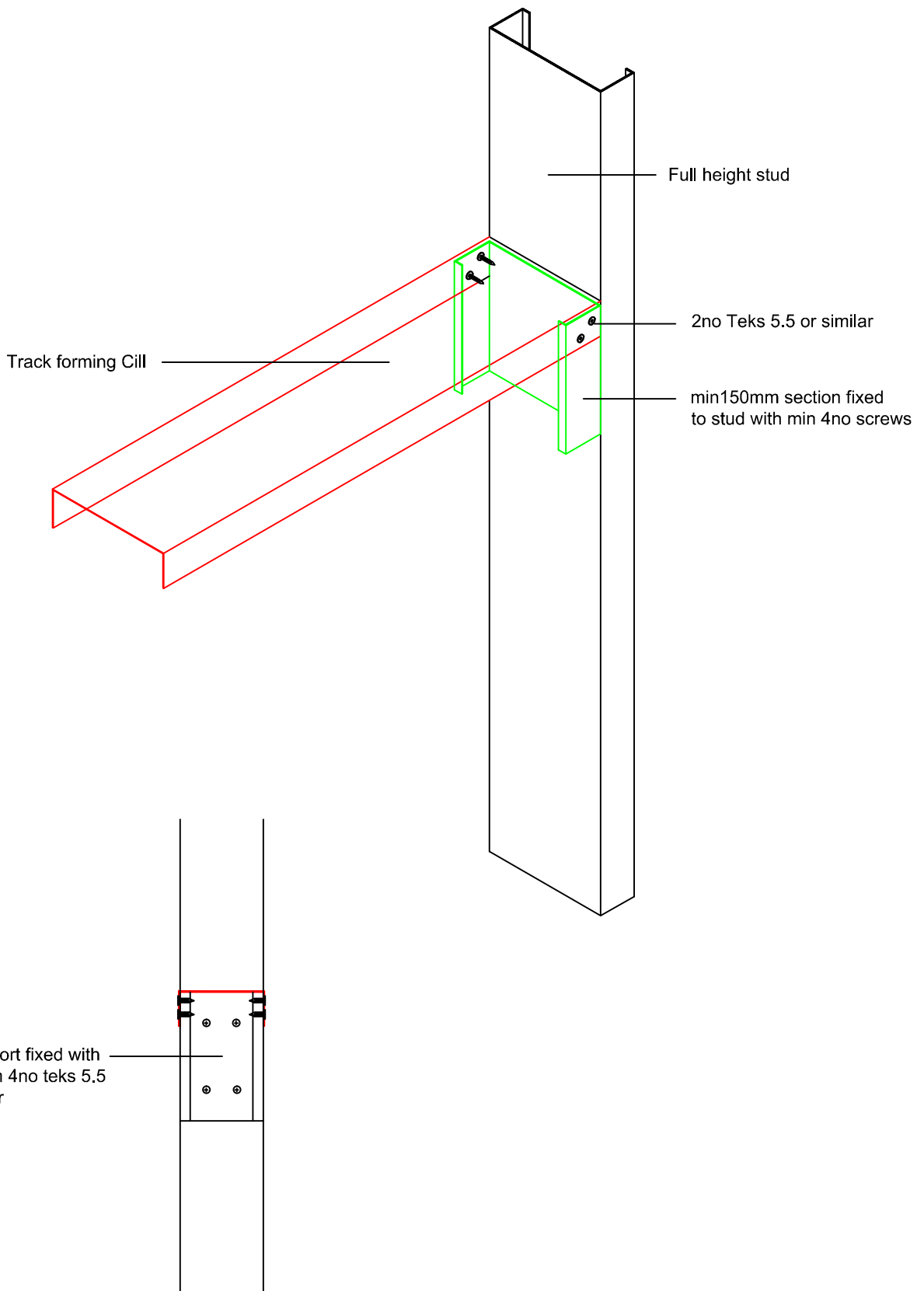
Unit 7, Winston Business Centre,
 Chartwell Road, Lancing,
 West Sussex, BN15 8TU
 T: 01903 765453 E: enquiries@frameclad.com



Description

Window Head fixing

| Date | Name | Scale | Drawing Number | Revision |
|------------|------|-------|----------------|----------|
| 03.02.2010 | MM | NTS | Sdet - 151 | - |



Frameclad Limited.

Unit 7, Winston Business Centre,
 Chartwell Road, Lancing,
 West Sussex, BN15 8TU
 T: 01903 765453 E: enquiries@frameclad.com



Description

Window Cill fixing

| Date | Name | Scale | Drawing Number | Revision |
|------------|------|-------|----------------|----------|
| 03.02.2010 | MM | NTS | Sdet - 152 | - |