

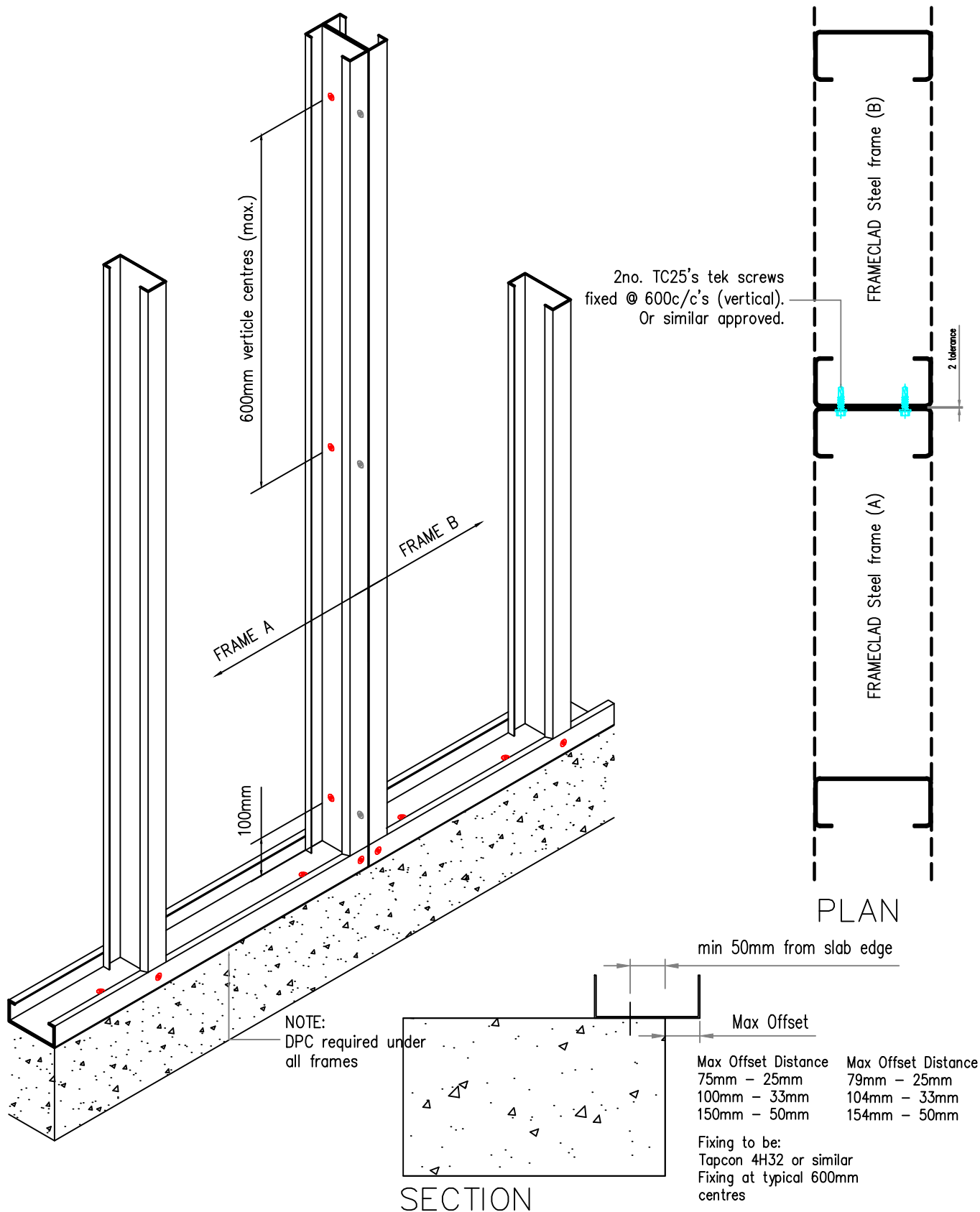
Frameclad Ltd, Unit 7, Winston Business Centre,  
Chartwell Road, Lancing, West Sussex, BN15 8TU.  
T: 01903 765453 E: enquiries@frameclad.com



Description

TYPICAL FRAME TO FRAME VERTICAL CORNER CONNECTION DETAIL

Date	Name	Scale	Drawing Number	Revision
01.12.2011	NT-	1:10@A4	FC-CD001	-



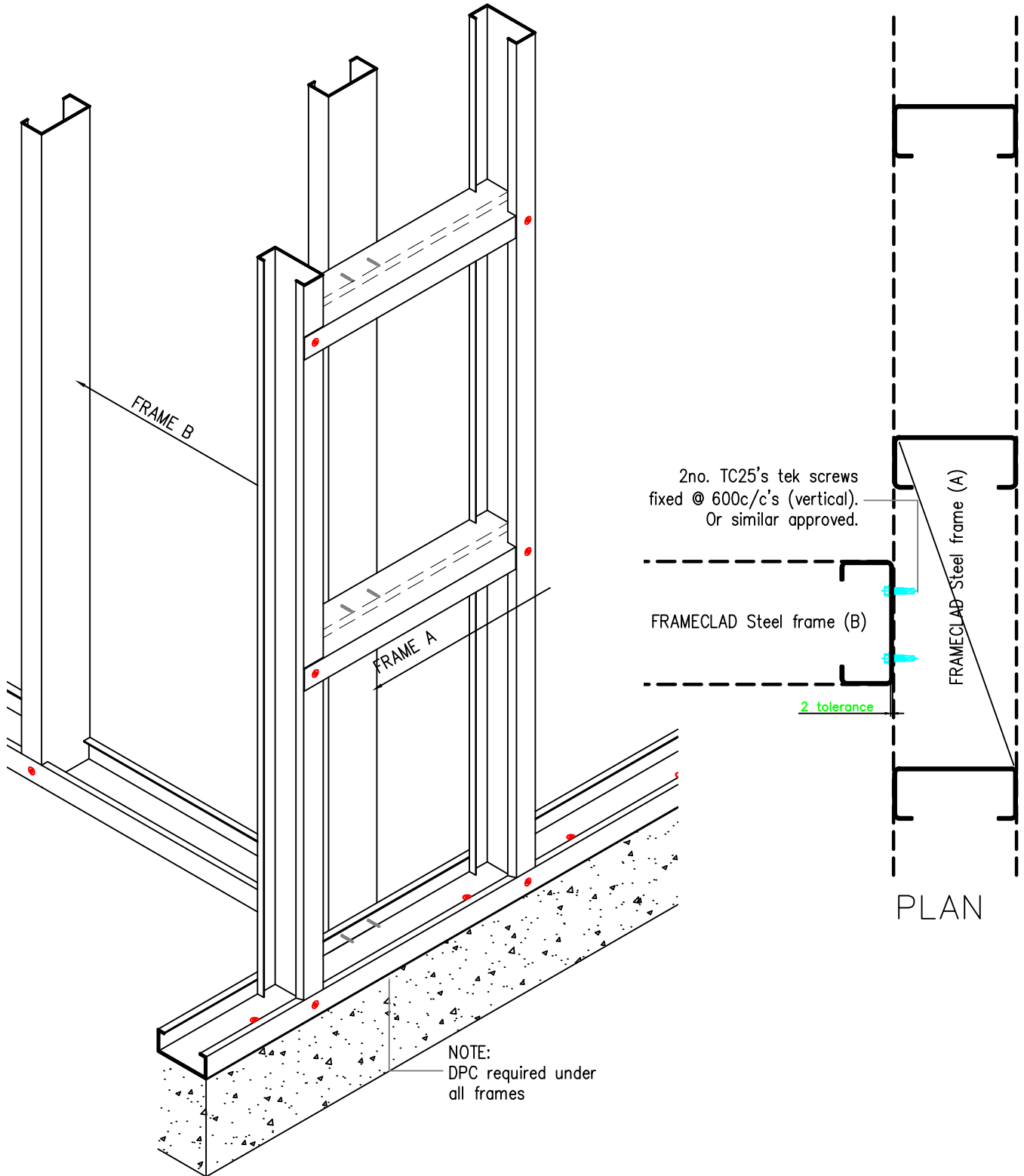
Frameclad Ltd, Unit 7, Winston Business Centre,  
Chartwell Road, Lancing, West Sussex, BN15 8TU.  
T: 01903 765453 E: enquiries@frameclad.com



Description

TYPICAL FRAME TO FRAME VERTICAL CONNECTION DETAIL

Date	Name	Scale	Drawing Number	Revision
01.12.2011	NT-	1:10@A4	FC-CD002	-



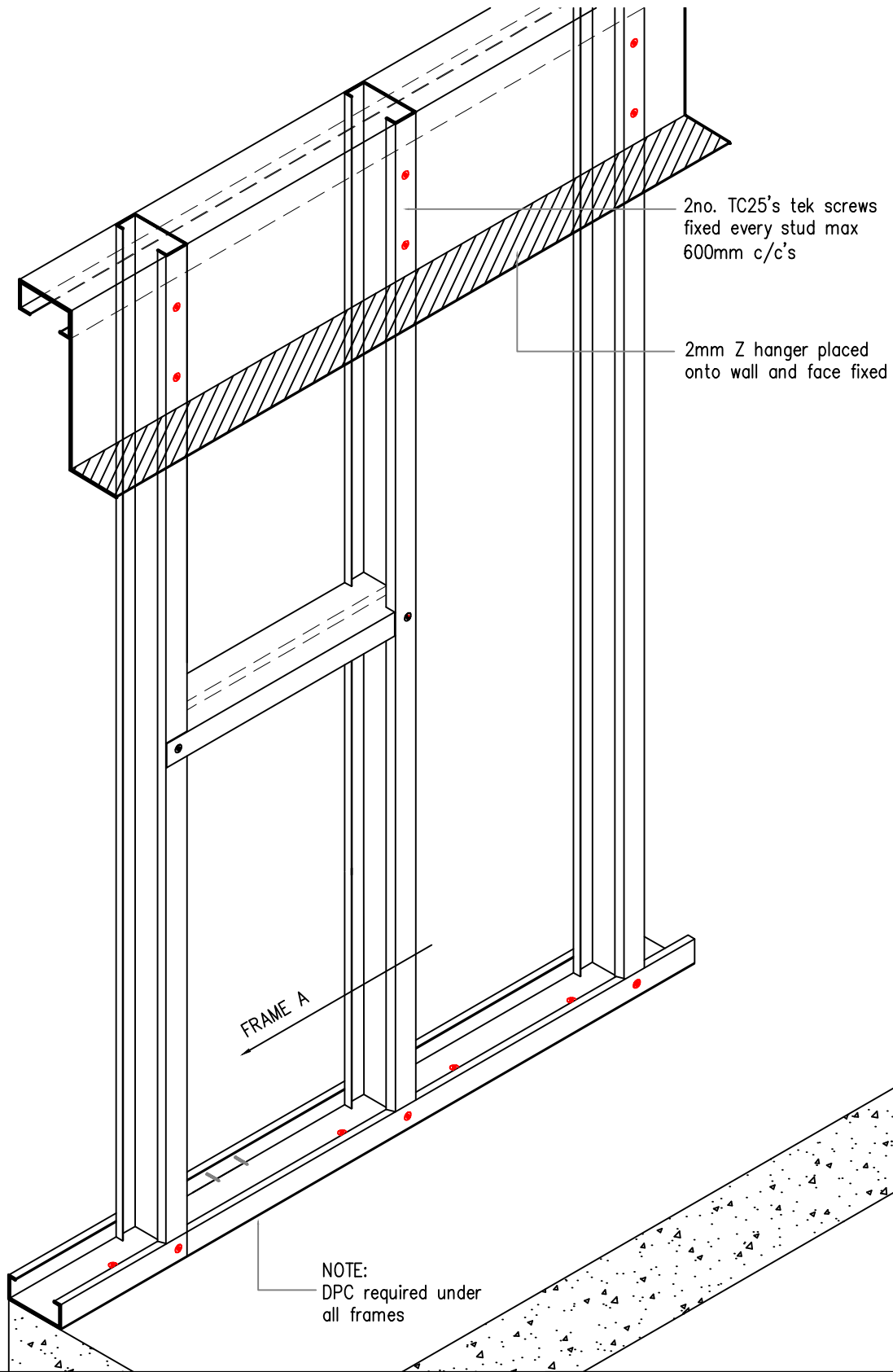
Frameclad Ltd, Unit 7, Winston Business Centre,  
Chartwell Road, Lancing, West Sussex, BN15 8TU.  
T: 01903 765453 E: enquiries@frameclad.com



Description

TYPICAL FRAME TO FRAME VERTICAL T JUNCTION CONNECTION DETAIL

Date	Name	Scale	Drawing Number	Revision
01.12.2011	NT-	1:10@A4	FC-CD003	-



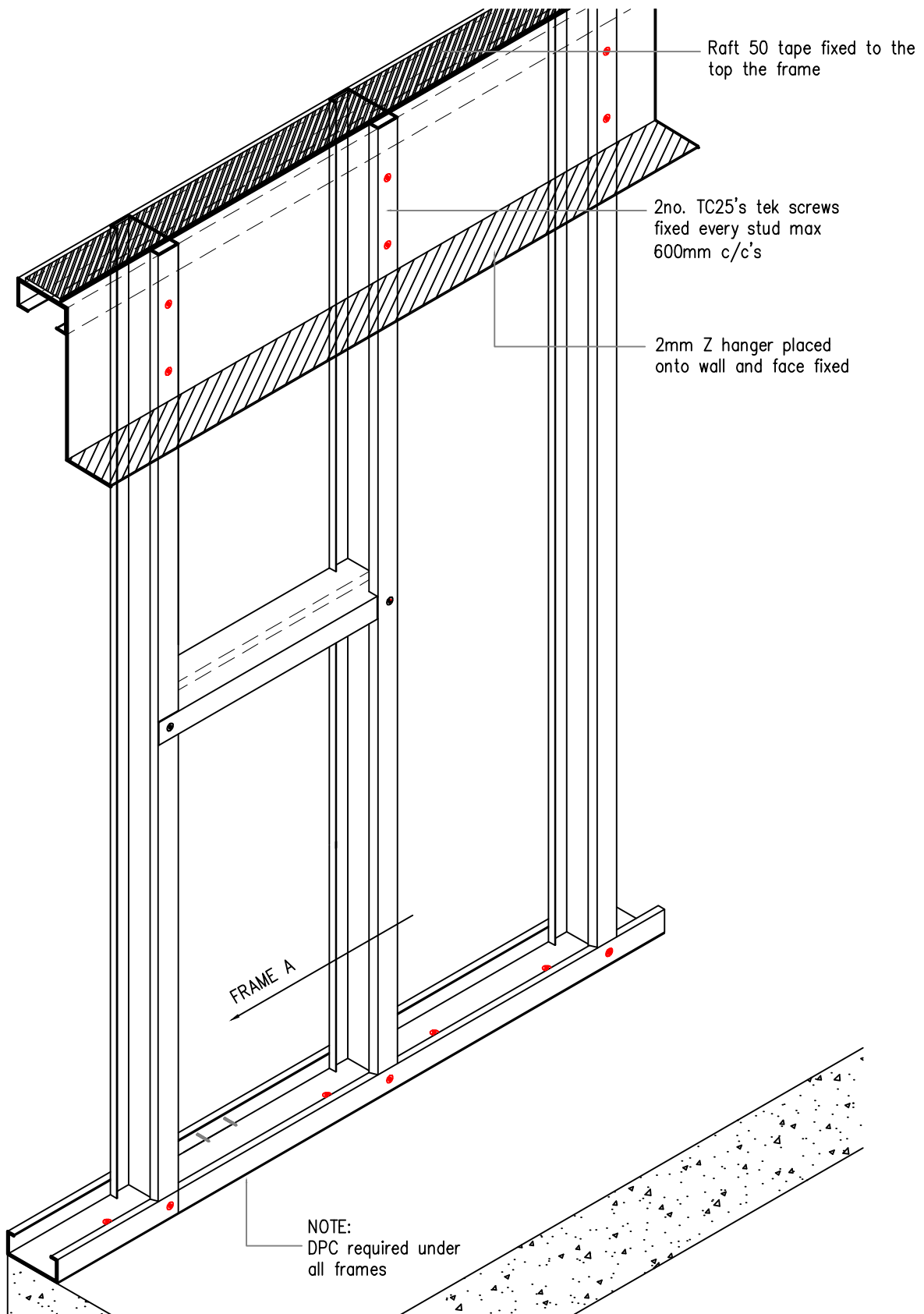
Frameclad Ltd, Unit 7, Winston Business Centre,  
 Chartwell Road, Lancing, West Sussex, BN15 8TU.  
 T: 01903 765453 E: enquiries@frameclad.com



Description

TYPICAL Z HANGER CONNECTION DETAIL

Date	Name	Scale	Drawing Number	Revision
01.12.2011	NT-	1:10@A4	FC-CD004	-



Frameclad Ltd, Unit 7, Winston Business Centre,  
 Chartwell Road, Lancing, West Sussex, BN15 8TU.  
 T: 01903 765453 E: enquiries@frameclad.com



Description

TYPICAL Z HANGER CONNECTION DETAIL

Date	Name	Scale	Drawing Number	Revision
01.12.2011	NT-	1:10@A4	FC-CD005	-

10mm tolerance between z hanger and end member of lattice beam to allow for fixings into z.

10 tolerance

Lattice floor joist designed to S.E requirements with regards to section + gauge with Raft 50 tape factory fitted to top of joist

Lattice floor joist fixed to z hanger from underneath with 2No TC25's at each end of joist.

FRAME A

NOTE:  
DPC required under all frames

Frameclad Ltd, Unit 7, Winston Business Centre,  
Chartwell Road, Lancing, West Sussex, BN15 8TU.  
T: 01903 765453 E: enquiries@frameclad.com

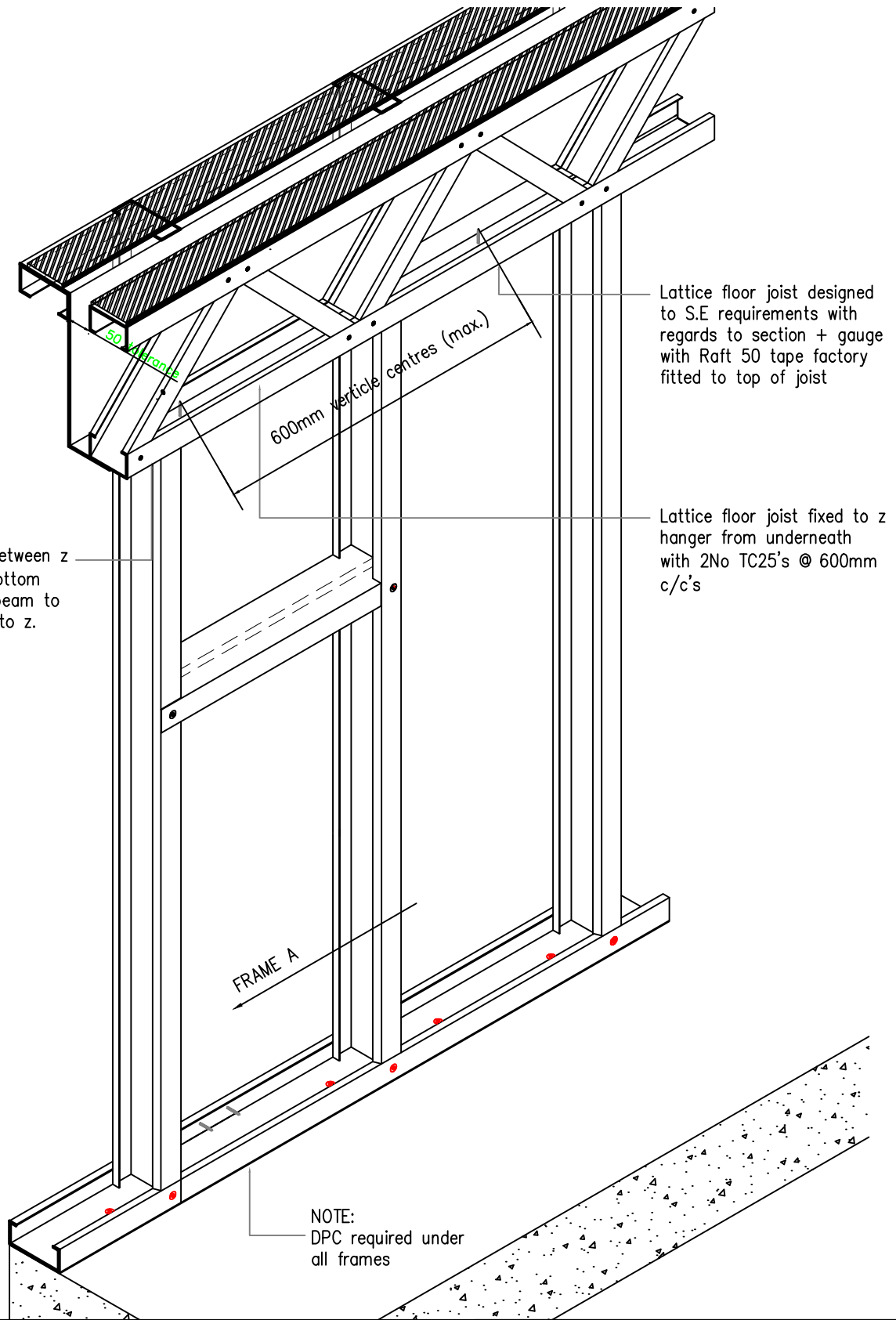


Description

TYPICAL LATTICE JOIST TO Z HANGER CONNECTION DETAIL

Date	Name	Scale	Drawing Number	Revision
01.12.2011	NT-	1:10@A4	FC-CD006	-

50mm tolerance between z hanger and top/bottom chords of lattice beam to allow for fixings into z.



Lattice floor joist designed to S.E requirements with regards to section + gauge with Raft 50 tape factory fitted to top of joist

Lattice floor joist fixed to z hanger from underneath with 2No TC25's @ 600mm c/c's

600mm vertical centres (max.)

50mm tolerance

FRAME A

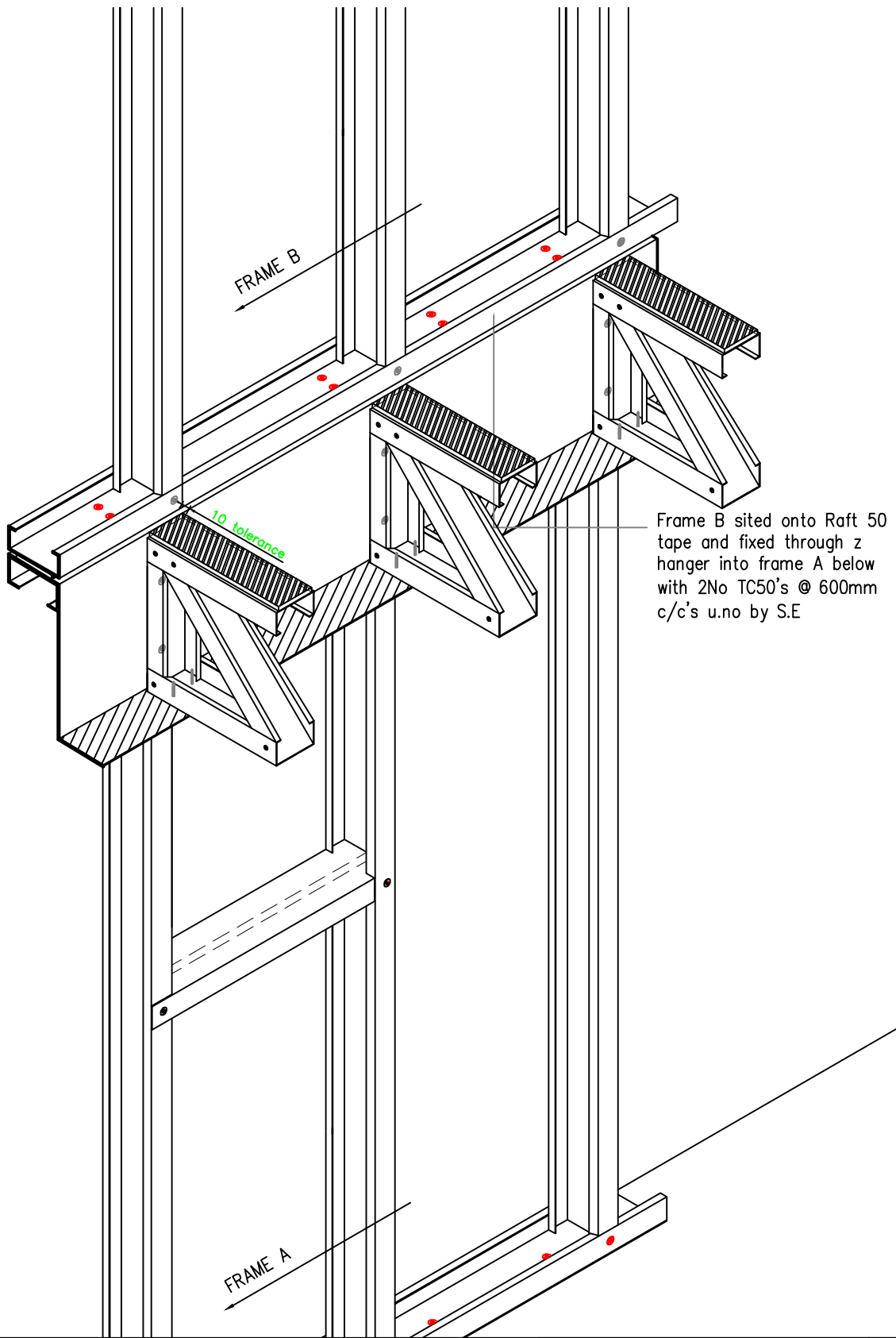
NOTE:  
DPC required under all frames



Frameclad Ltd, Unit 7, Winston Business Centre,  
Chartwell Road, Lancing, West Sussex, BN15 8TU.  
T: 01903 765453 E: enquiries@frameclad.com

Description  
TYPICAL LATTICE JOIST TO Z HANGER CONNECTION DETAIL RUNNING PARALLE TO WALL

Date	Name	Scale	Drawing Number	Revision
01.12.2011	NT-	1:10@A4	FC-CD007	-



Frameclad Ltd, Unit 7, Winston Business Centre,  
 Chartwell Road, Lancing, West Sussex, BN15 8TU.  
 T: 01903 765453 E: enquiries@frameclad.com

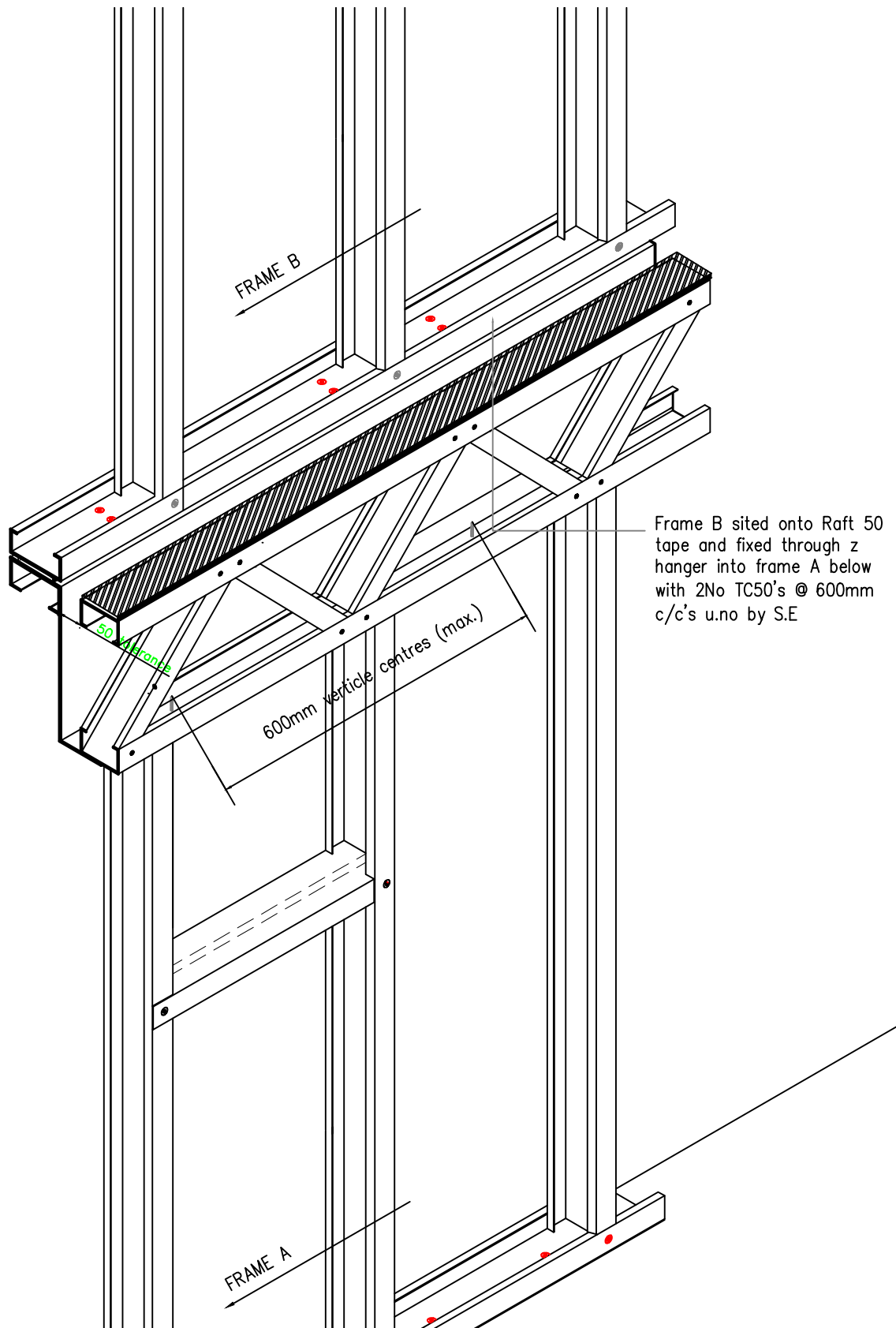


Description

TYPICAL CONNECTION DETAIL OF WALL FRAME ABOVE TO WALL FRAME BELOW JOISTS PERPENDICULAR

Date	Name	Scale	Drawing Number	Revision
01.12.2011	NT-	1:10@A4	FC-CD008	-





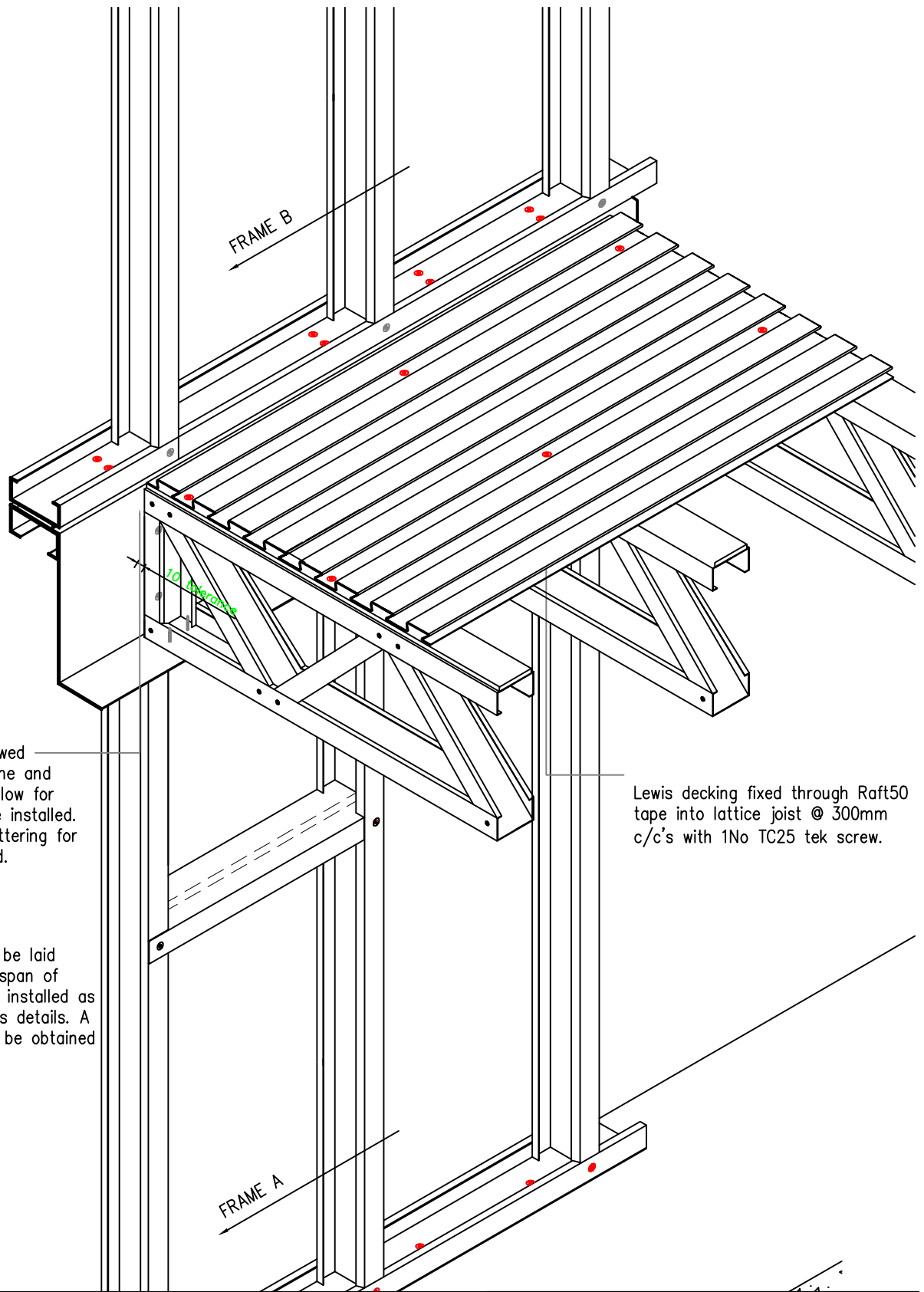
Frameclad Ltd, Unit 7, Winston Business Centre,  
 Chartwell Road, Lancing, West Sussex, BN15 8TU.  
 T: 01903 765453 E: enquiries@frameclad.com



Description

TYPICAL CONNECTION DETAIL OF WALL FRAME ABOVE TO WALL FRAME BELOW JOISTS PARALLEL

Date	Name	Scale	Drawing Number	Revision
01.12.2011	NT-	1:10@A4	FC-CD009	-



10mm to be allowed between wall frame and Lewis sheet to allow for fibre board to be installed. This acts as shuttering for the Gylon screed.

Lewis decking to be laid perpendicular to span of lattice joists and installed as per manufacturers details. A copy of this can be obtained from Frameclad

Lewis decking fixed through Raft50 tape into lattice joist @ 300mm c/c's with 1No TC25 tek screw.

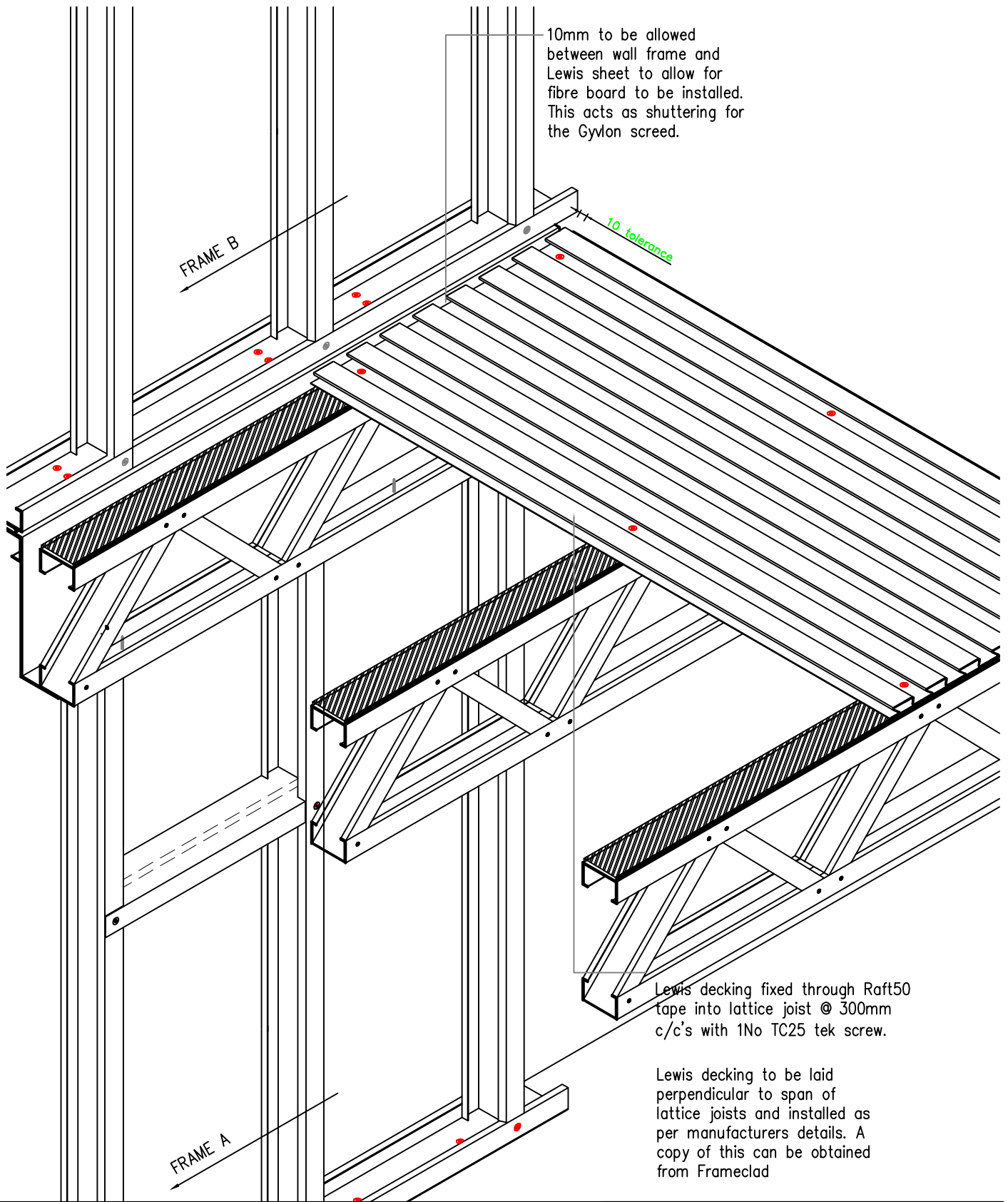
Frameclad Ltd, Unit 7, Winston Business Centre,  
 Chartwell Road, Lancing, West Sussex, BN15 8TU.  
 T: 01903 765453 E: enquiries@frameclad.com



Description

TYPICAL CONNECTION DETAIL OF LEWIS SHEET FIXED TO LATTICE JOISTS

Date	Name	Scale	Drawing Number	Revision
01.12.2011	NT-	1:10@A4	FC-CD0010	-



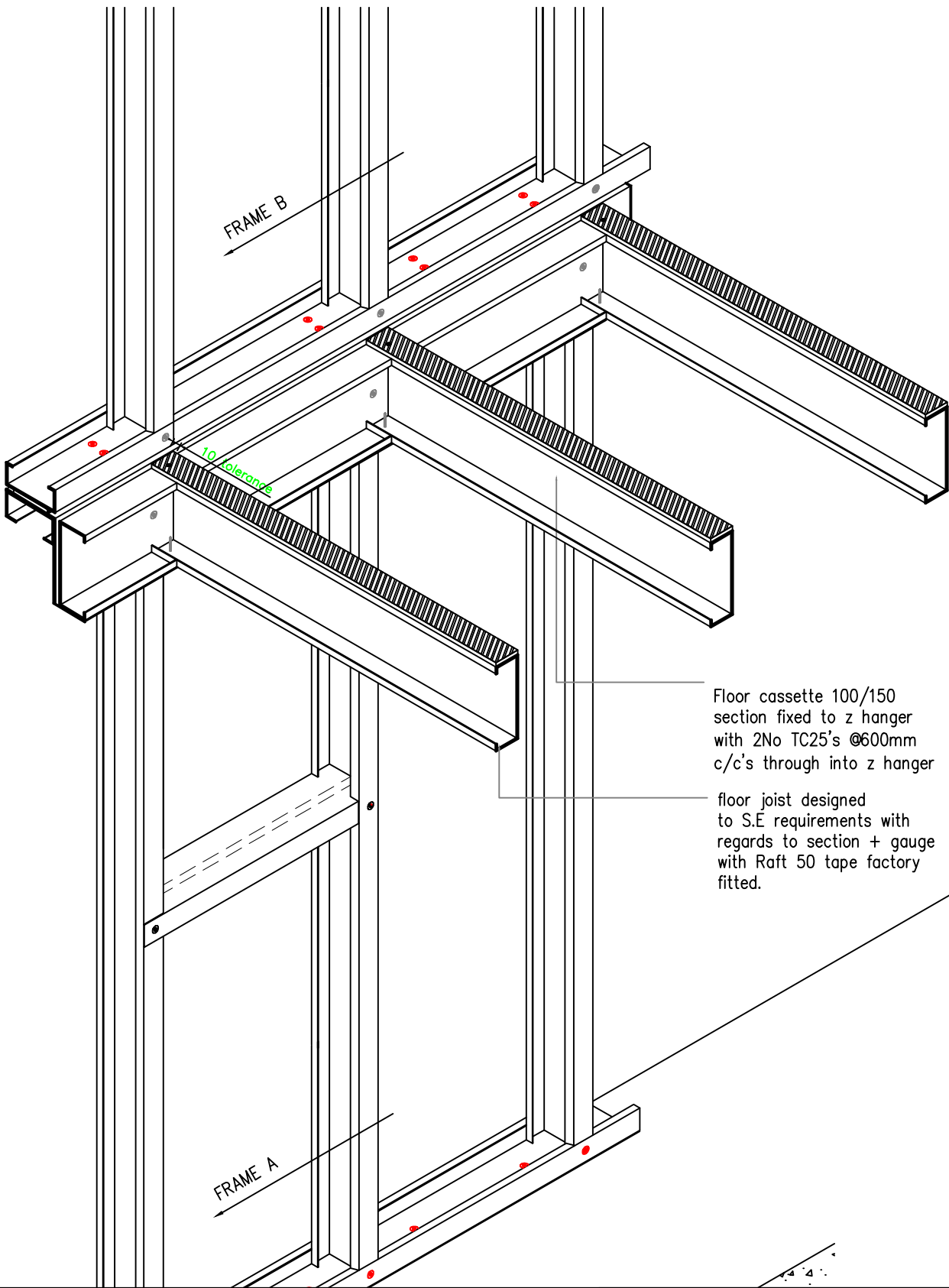
Frameclad Ltd, Unit 7, Winston Business Centre,  
 Chartwell Road, Lancing, West Sussex, BN15 8TU.  
 T: 01903 765453 E: enquiries@frameclad.com



Description

TYPICAL CONNECTION DETAIL OF LEWIS SHEET FIXED TO LATTICE JOISTS PARALLEL TO WALL

Date	Name	Scale	Drawing Number	Revision
01.12.2011	NT-	1:10@A4	FC-CD0011	-



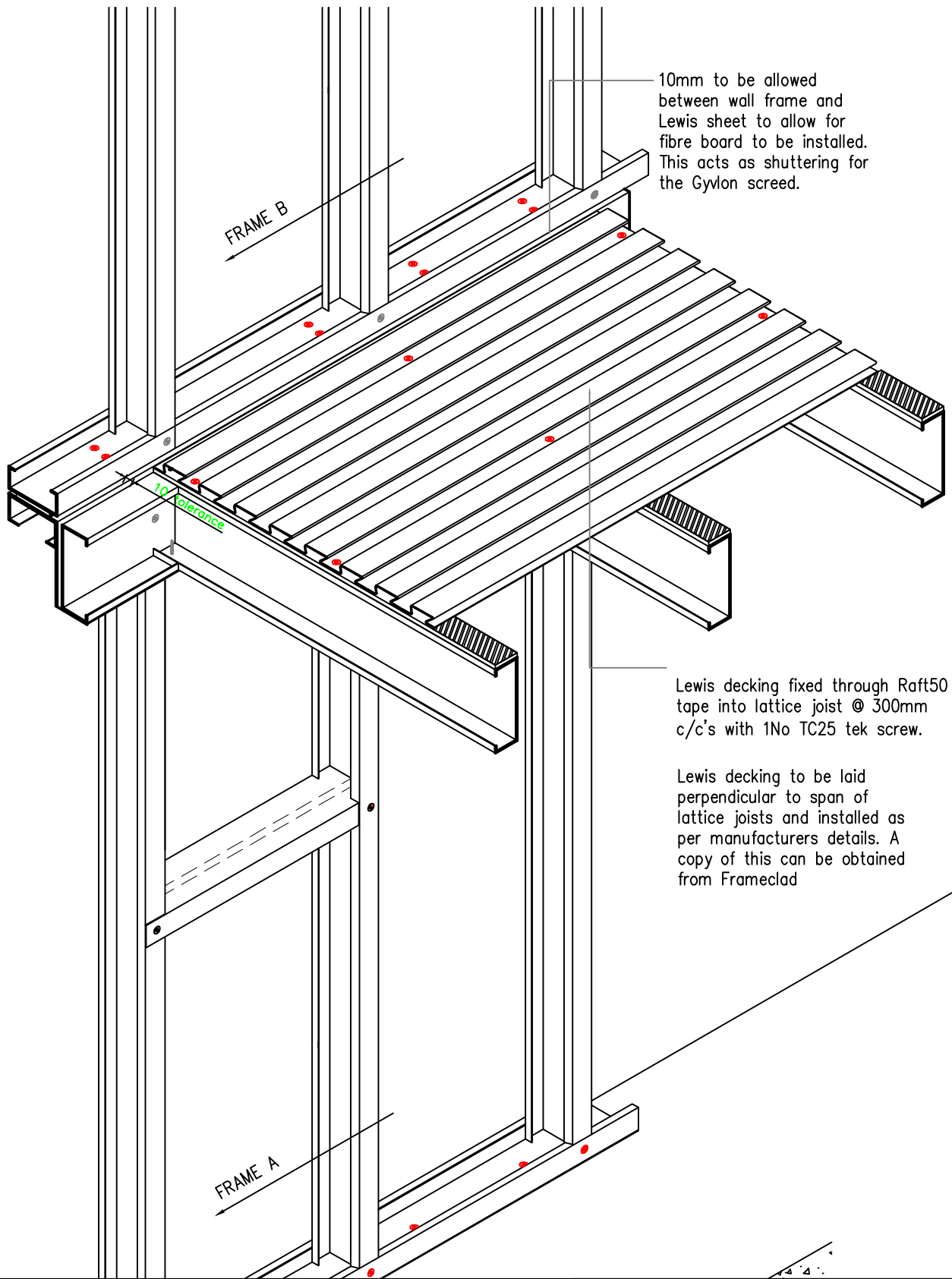
Frameclad Ltd, Unit 7, Winston Business Centre,  
 Chartwell Road, Lancing, West Sussex, BN15 8TU.  
 T: 01903 765453 E: enquiries@frameclad.com



Description

TYPICAL CONNECTION DETAIL OF FLOOR CASSETTE 100/150 SECTION PERPENDICULAR TO WALL

Date	Name	Scale	Drawing Number	Revision
01.12.2011	NT-	1:10@A4	FC-CD0012	-



10mm to be allowed between wall frame and Lewis sheet to allow for fibre board to be installed. This acts as shuttering for the Gylon screed.

Lewis decking fixed through Raft50 tape into lattice joist @ 300mm c/c's with 1No TC25 tek screw.

Lewis decking to be laid perpendicular to span of lattice joists and installed as per manufacturers details. A copy of this can be obtained from Frameclad

Frameclad Ltd, Unit 7, Winston Business Centre,  
 Chartwell Road, Lancing, West Sussex, BN15 8TU.  
 T: 01903 765453 E: enquiries@frameclad.com



Description  
 TYPICAL CONNECTION DETAIL OF LEWIS SHEET INTO FLOOR CASSETTE 100/150 PERPENDICULAR TO WALL

Date	Name	Scale	Drawing Number	Revision
01.12.2011	NT-	1:10@A4	FC-CD0013	-